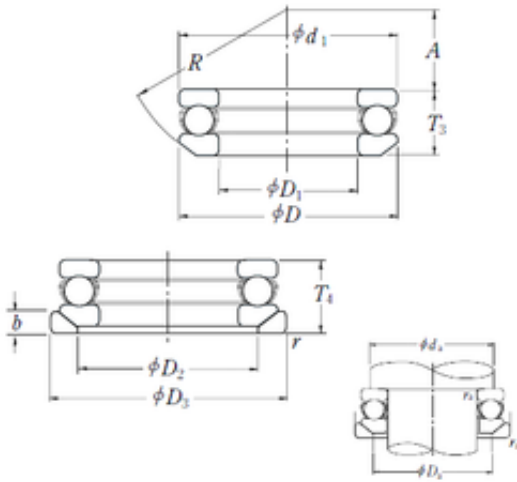




All kinds of faous brand Bearings and block
53316U

Bearing No. 53316U



53316U Bearing 2D drawings and 3D CAD models

Size	80x140x52 mm
Bore Diameter	80 mm
Outer Diameter	140 mm
Width	52 mm
d	80 mm
D	140 mm
T	52 mm
b	15 mm
d1	140 mm
r min.	1,5 mm
A	50 mm
D1	82 mm
D2	110 mm
D3	145 mm
R	112 mm
da min.	116 mm
Da max.	104 mm
ra max.	1,5 mm
Weight	3,55 Kg
Basic dynamic load rating (C)	164 kN
Basic static load rating (C0)	395 kN
(Grease) Lubrication Speed	1300 r/min
SRI	11.15
hidYobi	53316U
LangID	1



LEADER INDUSTRIAL MANUFACTURE CO., LTD

D_	140
SREX	0.05
C	164
B_	52
hidTable	ecat_NSSDTB
Oil rpm	1900
SRE	11.15
mass	3.55
GRS rpm	1300
ra	1.5
SRIX	0.05
T4	52
D_3	145
D_a	104
SRIN	0
C0	395
D_2	110
SREN	0
D_1	82
Prod_Type3	TB_SD_WASW
da	116
DA_	20.638
Z_	15
yobi	53316U
A_	50
T3	47.6
SDM_	110
r	1.5
KBRG	5131
R_	112